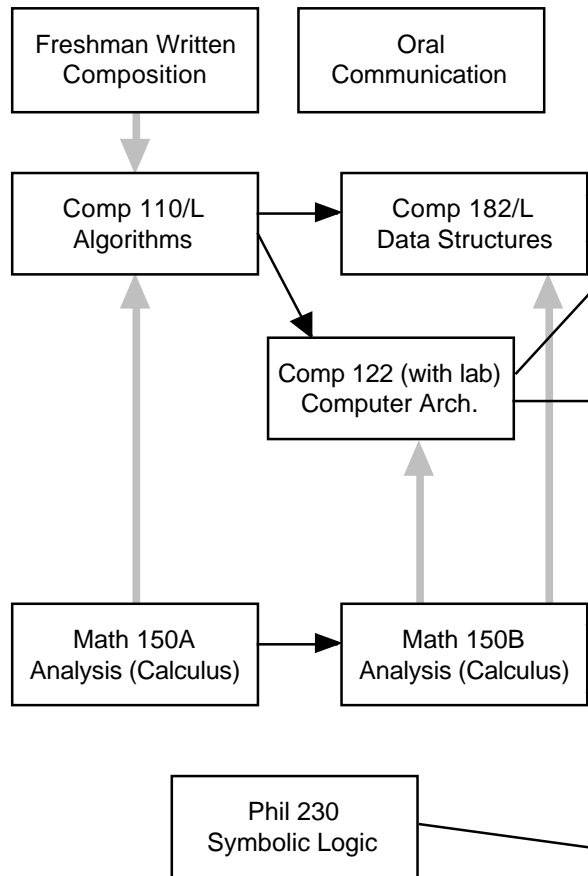


# CSUN COMPUTER SCIENCE B.S. DEGREE INFORMATION

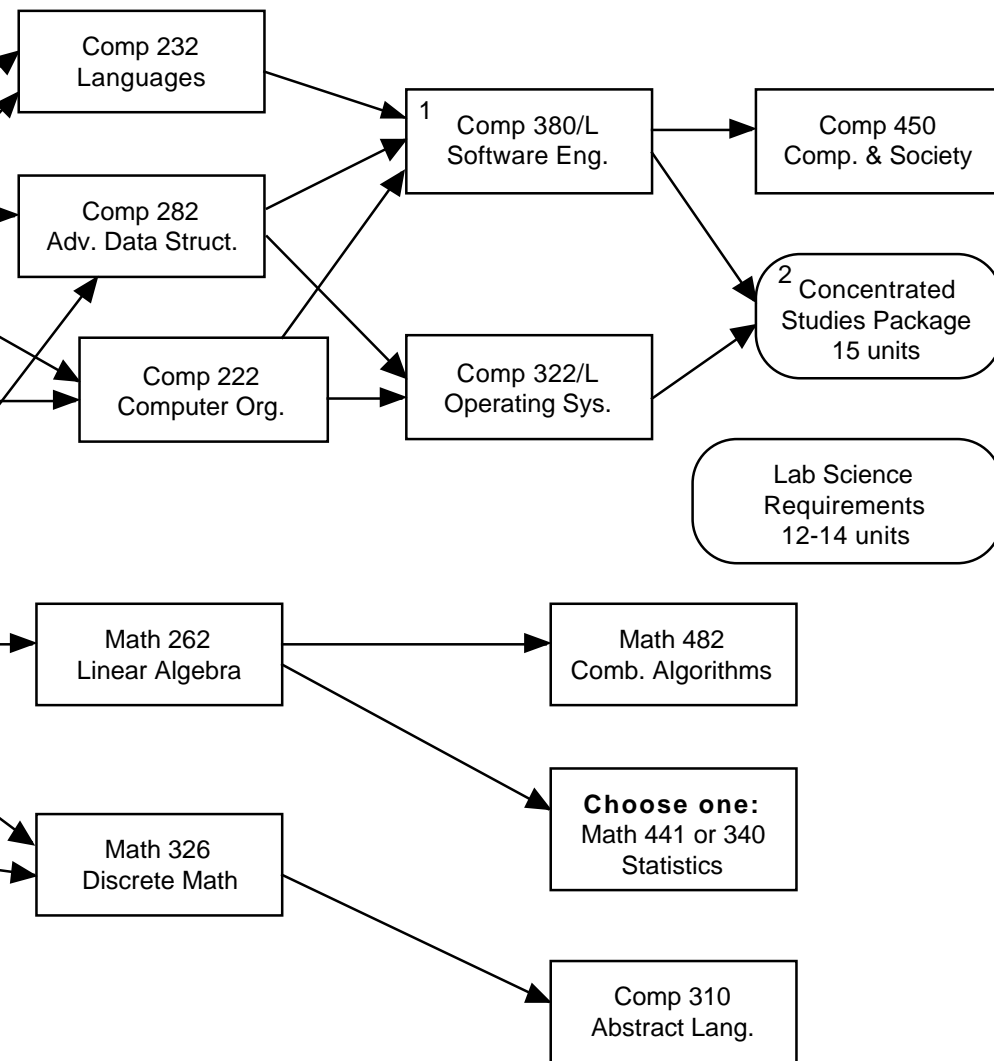
## 2002-2004 Catalog (123 Unit Major)

### Pre-Major Requirements



### Major Requirements

(all pre-major requirements must be completed prior to entry into the major)



Grade requirements for admission into the Computer Science major program:

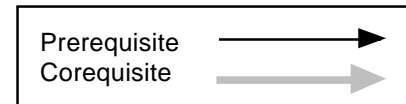
1. Overall G.P.A. of 2.0 in all courses taken to meet the requirements of the pre-major and G.E. Basic Subjects
2. Overall G.P.A. of 2.0 in all courses taken at CSUN
3. Grade of "C" or better in MATH 150A

**See reverse side for additional information**

#### Notes:

1. Comp 380/L has prerequisites of either Comp 222 and 282, or Comp 232 and 282
2. Concentrated Studies courses may require Comp 322/L and/or Comp 380/L plus other courses as prerequisites

rev 3/26/2002



visit us at:

<http://www.csun.edu/compsci/>

# CSUN Computer Science Department

rev 3/26/2002

## Computer Science B.S. degree (123-125 units)

These units are divided into:

Computer Science Core	
Lower Division .....	19 units
Upper Division .....	13 units
Mathematics .....	22 units
Symbolic Logic .....	3 units
Lab Science .....	12-14 units
Concentrated Studies Package .....	15 units
General Education/U.S. History/Government .....	39 units

With the exception of G.E./U.S. History/Government requirements, CSUN grades of "C-" or better are required in all course work taken to meet the above requirements. No grade lower than a "C" will be accepted on transfer requests to satisfy required courses.

## Concentrated Studies Packages (15 units)

Areas of emphasis:

Artificial Intelligence	Language Foundations
Automation Engineering	Object Oriented Programming/Design
Computer Graphics	Operating Systems
Computer Networks	Parallel and Distributed Processes
Human/Computer Interface	Software Engineering
Information System Design	

Prior approval by an advisor is strongly encouraged before starting the courses within a package. All 400 and 500 level COMP courses (with the exception of 450, 494 and 499) and MATH 481A are pre-approved for inclusion in a Concentrated Studies Package. Requests for inclusion of an upper division course within a Concentrated Studies Package that does not meet the requirements stated above must be approved by the student's advisor and the department chair prior to enrollment in the course.

## A Possible Starting Sequence for Those Needing Developmental Courses ===>

<b>Year 0 Semester 1:</b>	<b>Semester 2:</b>
Developmental Math	Developmental Math
Developmental English	Developmental English or
G.E. Section C, D or F	Freshman Comp. (G.E.)
G.E. Section C, D or F or	G.E. Section C, D or F
U.S. History	G.E. Section C, D or F

(Lessen the remaining semester loads by the number of G.E. courses taken here.)

## A Four-Year Sequence for Degree Completion (15-19 units per semester)

<b>Year 1 Semester 1:</b>	<b>Semester 2:</b>
MATH 105 (if required)	MATH 150A
COMP 108 (optional)	COMP 110/L
G.E. Section C, D or F	PHIL 230
U.S. History	U.S. Government
Freshman Comp. (G.E. Sec. A.1)	Oral Com. (G.E. Sec. A.4)
<b>Year 2 Semester 1:</b>	<b>Semester 2: &lt;---- Apply to change</b>
MATH 150B	MATH 262 <b>from pre-major to</b>
COMP 122	COMP 222 <b>major after start</b>
COMP 182/L	COMP 232 <b>of semester</b>
Lab Science Course 1	COMP 282
Literature (G.E. Sec. C.1)	Lab Science Course 2
<b>Year 3 Semester 1:</b>	<b>Semester 2:</b>
MATH 326	MATH 441 or 340
COMP 322/L	COMP 310
COMP 380/L	Conc. Studies Course 1
Lab Science Course 3	G.E. Section C, D or F
G.E. Section C, D or F	Upper Div. G.E. Section C, D or F
<b>Year 4 Semester 1:</b>	<b>Semester 2:</b>
MATH 482	COMP 450
Conc. Studies Course 2	Conc. Studies Course 4
Conc. Studies Course 3	Conc. Studies Course 5
G.E. Section C, D or F	G.E. Section C, D or F
Upper Div. G.E. Section C, D or F	Upper Div. G.E. Section C, D or F

## Lab Science Requirements (12-14 units)

Select one of the following science sequences ..... 8-10 units

Physics 220A, 220AL, 220B, 220BL  
 Chemistry 101, 101L, 102, 102L  
 Biology\* 106, 106L, 107, 107L

Select an additional science course with lab from a field of study different from the one selected above ..... 4-5 units

\*Note: students who elect BIOL 106/L, 107/L from above should select CHEM 101 in this section since CHEM 101 is a corequisite to BIOL 106/L.

Biology 106, 106L	Geology 101, 102 (lab)
Chemistry 101, 101L	Geology 110, 112 (lab)
Geography 101, 102 (lab)	Physics 220A, 220AL
Geography 103, 105 (lab)	